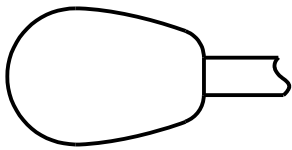
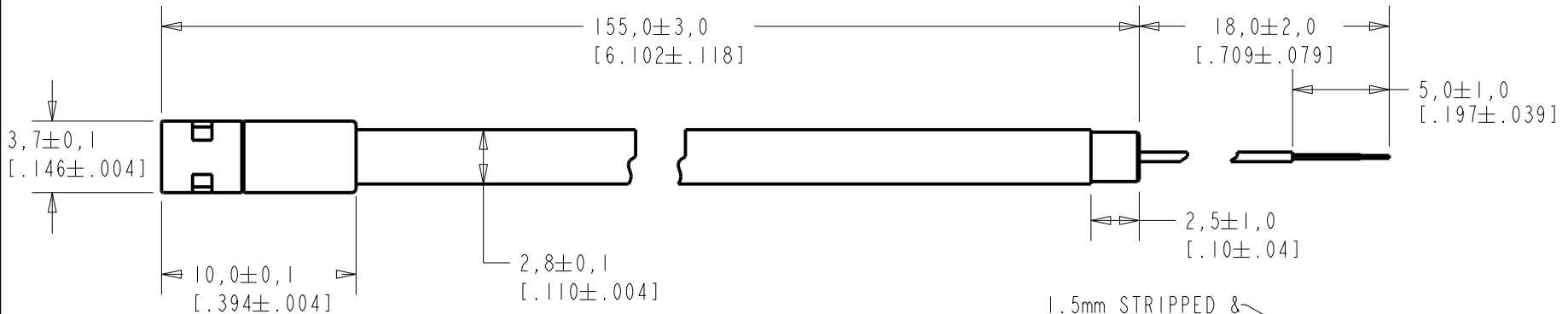


FB-BU-31193-000
SHT 1.1



TOP VIEW
W/ WINDSHIELD SHOWN
SCALE 2:1



1.5mm STRIPPED &
TINNED ENDS(2X)

S.S. HOUSING, BLACK

BLACK POLYOLEFIN SHRINK COVER
ON FLEXI-SET BOOM

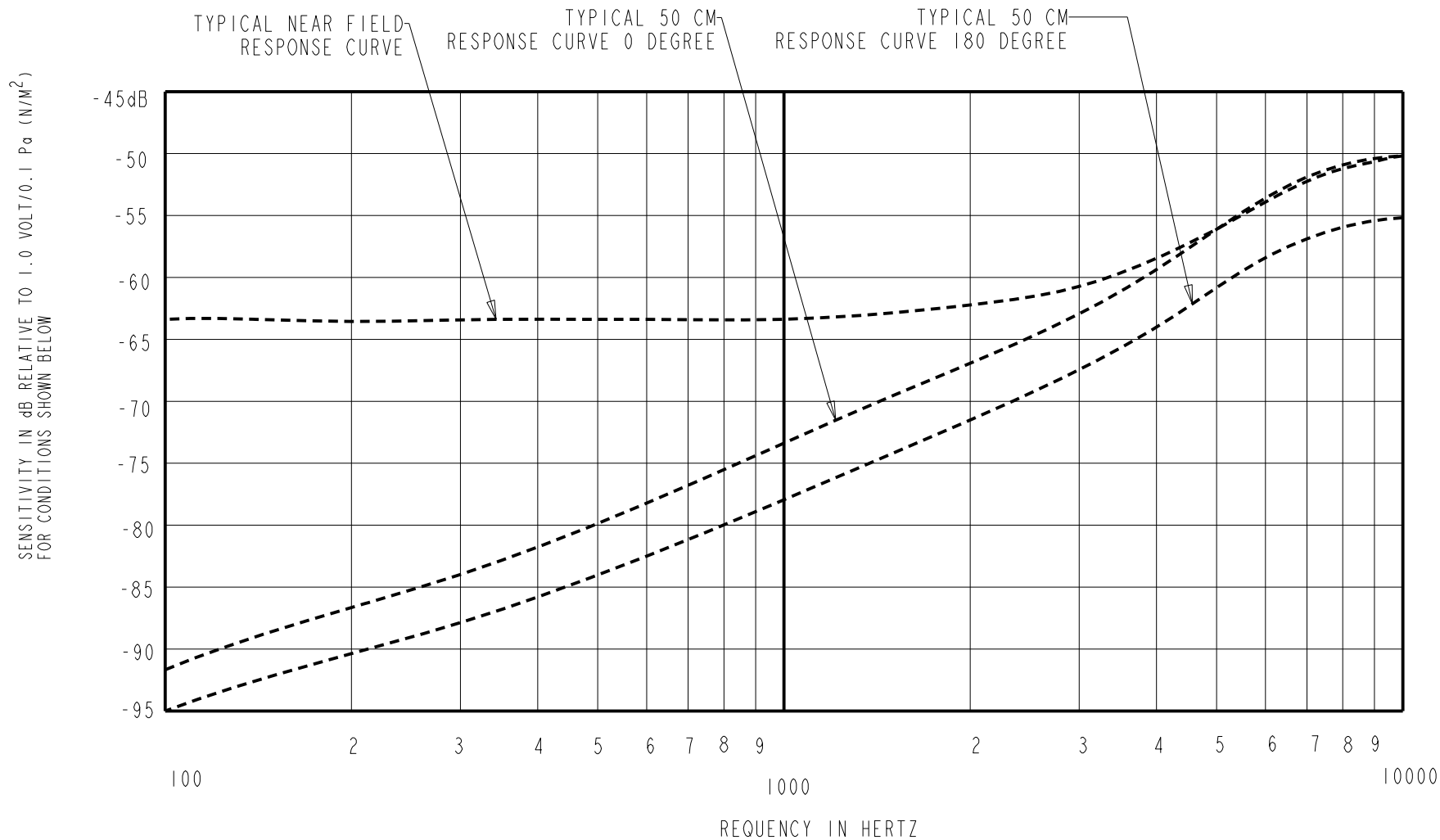
WIRE COLOR		WEIGHT GRAMS
+ve	-ve	
GREY	SHIELD	t.b.d.

DIMENSIONS IN MILLIMETERS [INCHES]

Revision	C.O. #	Implementation Date	RELEASE LEVEL	REVISION
B	C40100682	6-16-11	Active	B
A	C10111972P	4-8-11		

SCALE:	33:100	DR. BY	DATE
DO NOT SCALE DRAWING		OO	4-8-11
TITLE:	BOOM MICROPHONE FB-BU-31193-000	CK. BY	DATE
OUTLINE DRAWING	SHT 1.1	GJP	4-13-11
		APP. BY	DATE
		GJP	4-13-11

KNOWLES ELECTRONICS
ITASCA, ILLINOIS U.S.A.

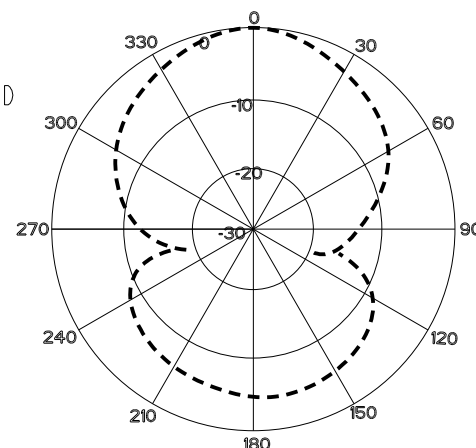
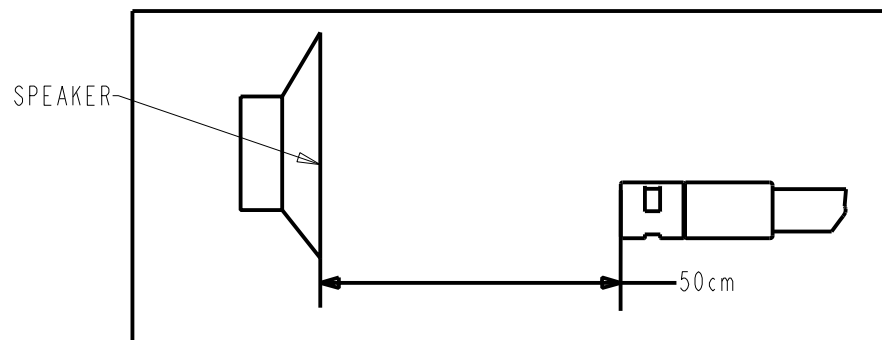


0 DEGREE SENSITIVITY				DEVICE CONFORMITY	
FREQUENCY	MIN.	NOM.	MAX.	RANGE OF DEVIATION FROM 1 kHz	
				0 DEGREE	
300	---	-84.0	---	-15.0	-5.0
1000	-78.0	-74.0	-70.0	0.0	0.0
5000	---	-58.0	---	+11.0	+21.0

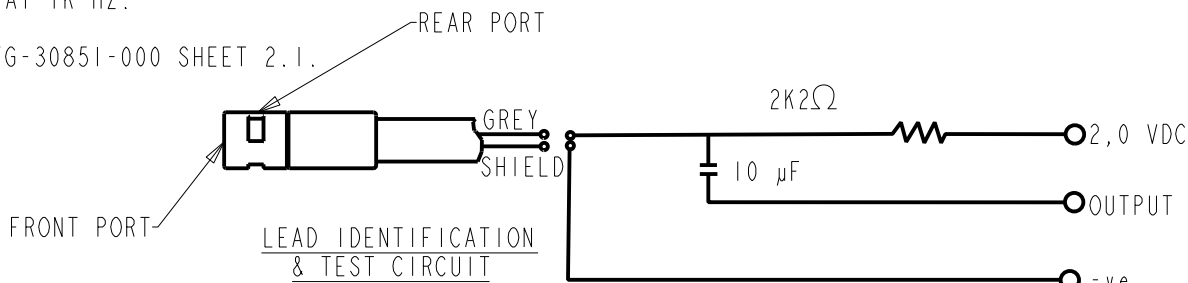
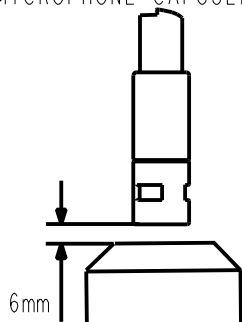
NOTES:

- MICROPHONE TO BE FUNCTIONAL WITH 3.0 VDC SUPPLY.
- SENSITIVITY VALUES INDICATED ON THIS SPECIFICATION ARE VALID AT 50% HUMIDITY.
- TEST CONDITIONS (50 cm RESPONSE):
PLACE PRODUCT IN CLIO UNI TESTER SYSTEM, 50 CM AWAY FROM 74 dB SPL SWEPT SOUND FIELD CREATED BY SPEAKER.

TYPICAL (REFERENCE ONLY) POLAR PATTERN AT 4KHz



- FRONT TO BACK RATIO MAX. 4dB AT 1KHz.
- TEST CONDITIONS (NEAR FIELD):
HEAD OF BOOM EXPOSED TO 74 dB SPL SWEPT SOUND FIELD AT 6MM FROM VOICE APERTURE.
ARTIFICIAL VOICE: B & K 4227 MOUTH SIMULATOR.
- NEAR FIELD SENSITIVITY: -64 +/- 4 dB AT 1K HZ.
- FOR MICROPHONE CAPSULE SPEC. SEE DFG-30851-000 SHEET 2.1.



Revision	C.O. #	Implementation Date	RELEASE LEVEL	REVISION
B	C40100682	6-16-11	Active	B
A	C10111972P	4-8-11		

WHEN TEST LIMITS ARE USED TO ESTABLISH INCOMING INSPECTION ACCEPTANCE/REJECTION CRITERIA, CORRELATION OF TEST EQUIPMENT WITH KNOWLES IS ALSO REQUIRED FOR ELIMINATION OF EQUIPMENT AND TEST METHOD VARIATION

TITLE: **BOOM MICROPHONE** **FB-BU-31193-000**
PERFORMANCE SPECIFICATION **SHT 2.1**

DR. BY	DATE
OQ	4-8-11
CK. BY	DATE
GJP	4-13-11
APP. BY	DATE
GJP	4-13-11

KNOWLES ELECTRONICS
ITASCA, ILLINOIS U.S.A.